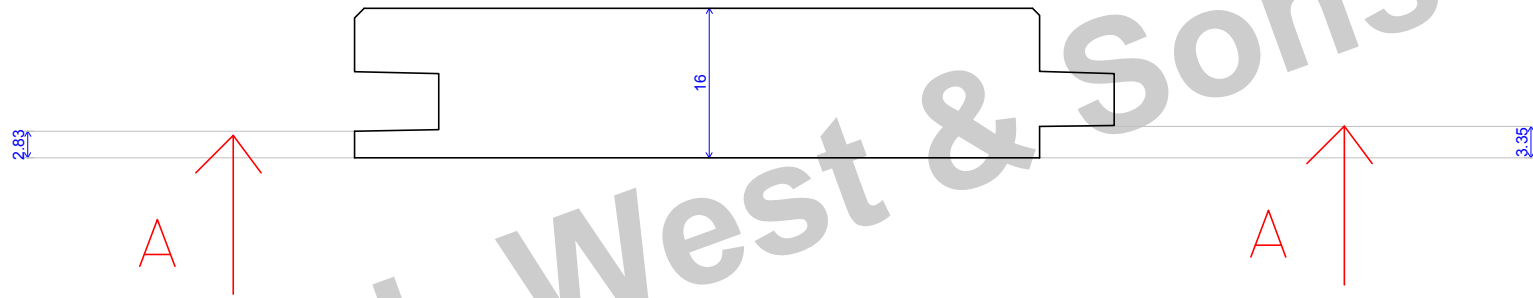


	M OFFSET T- G	Scale : 1
24/06/09	Box 509	

1 SIDED MICRO BEVELL

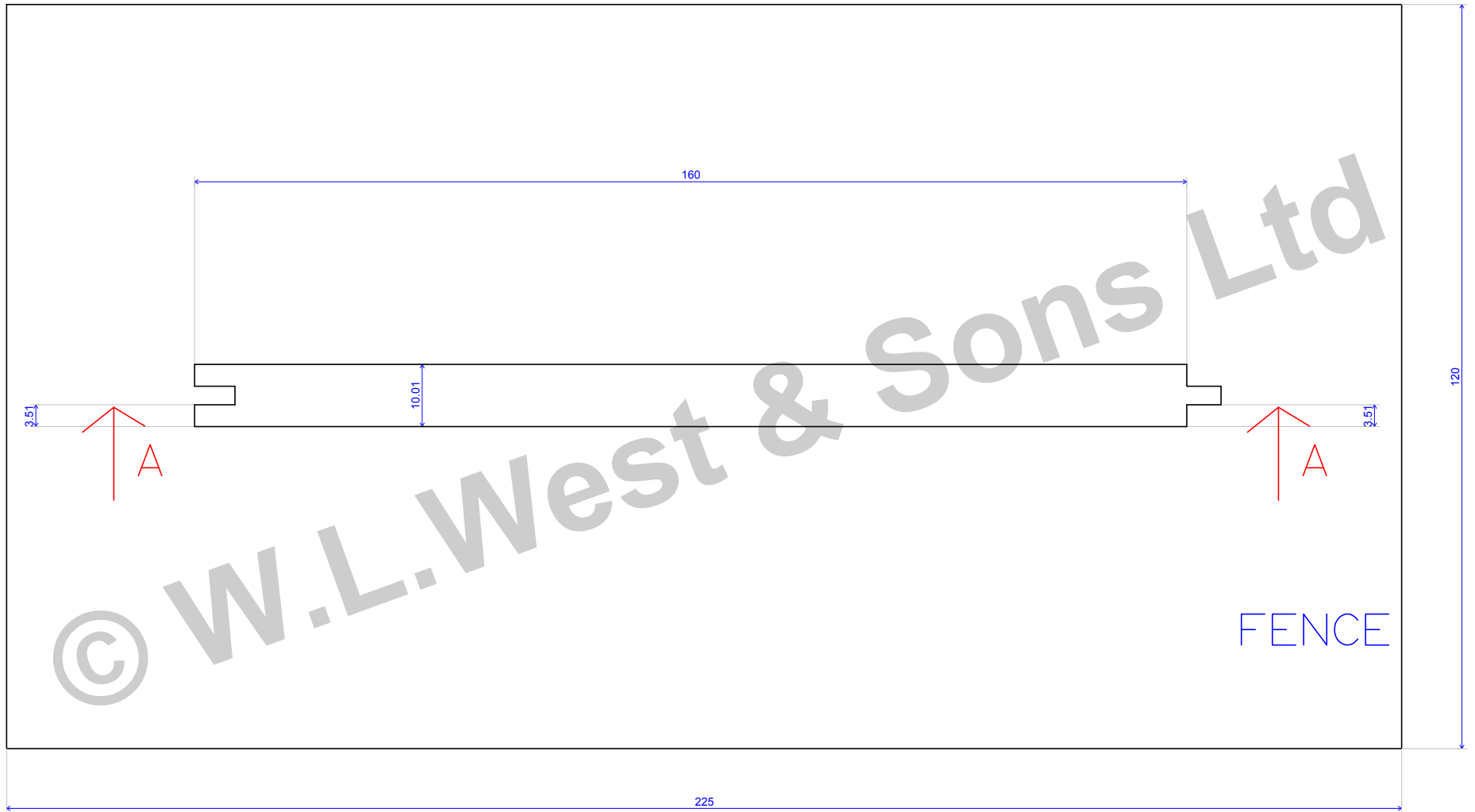


120

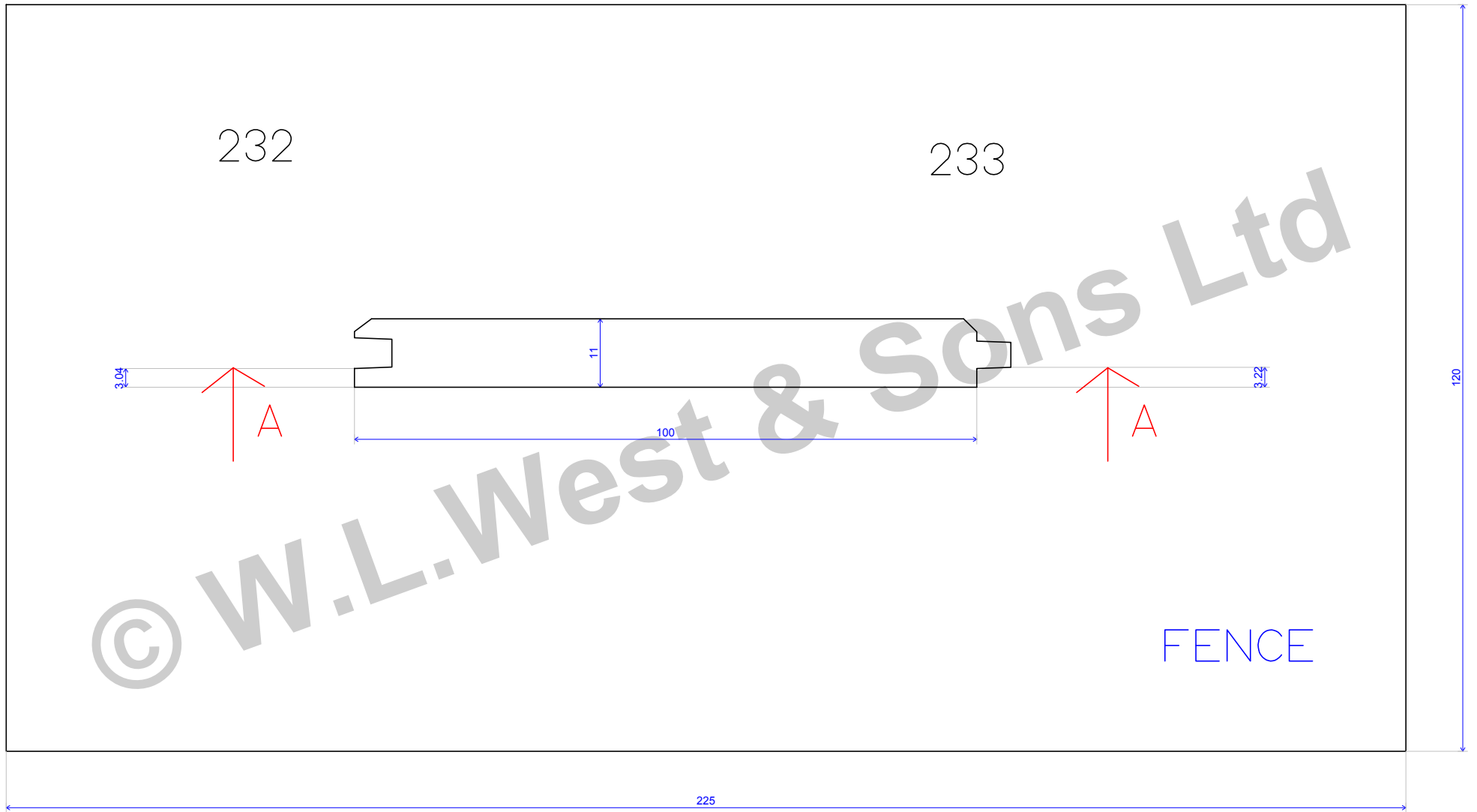
FENCE

200

	1 SIDED MICRO BEVELL	Scale : 1.235
02/06/09		

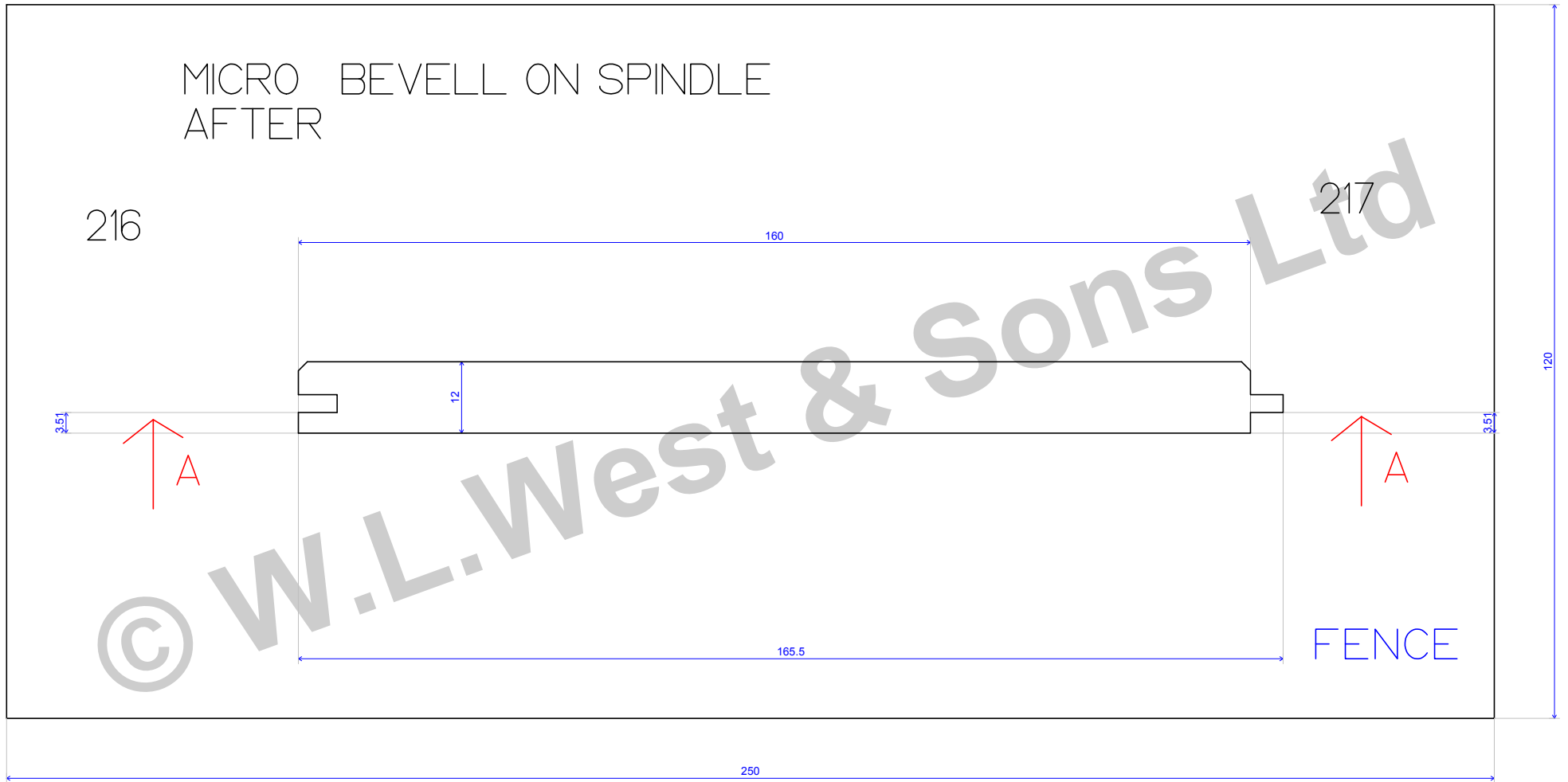


	WLW 10MM T&G	Scale : 1.034
02/06/09	Box 129	

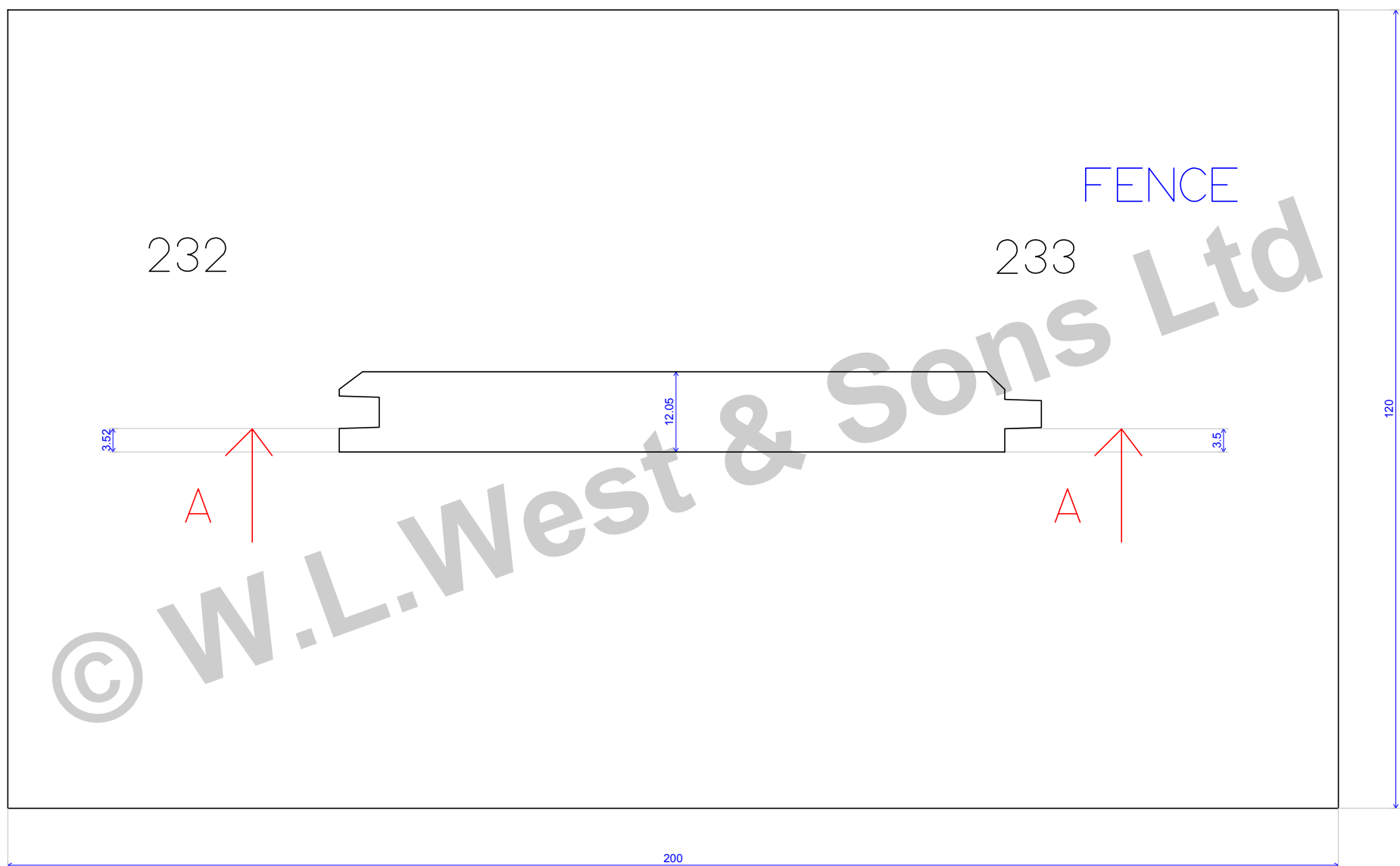


	WLW 11MM T&G	Scale : 1.098
02/06/09		

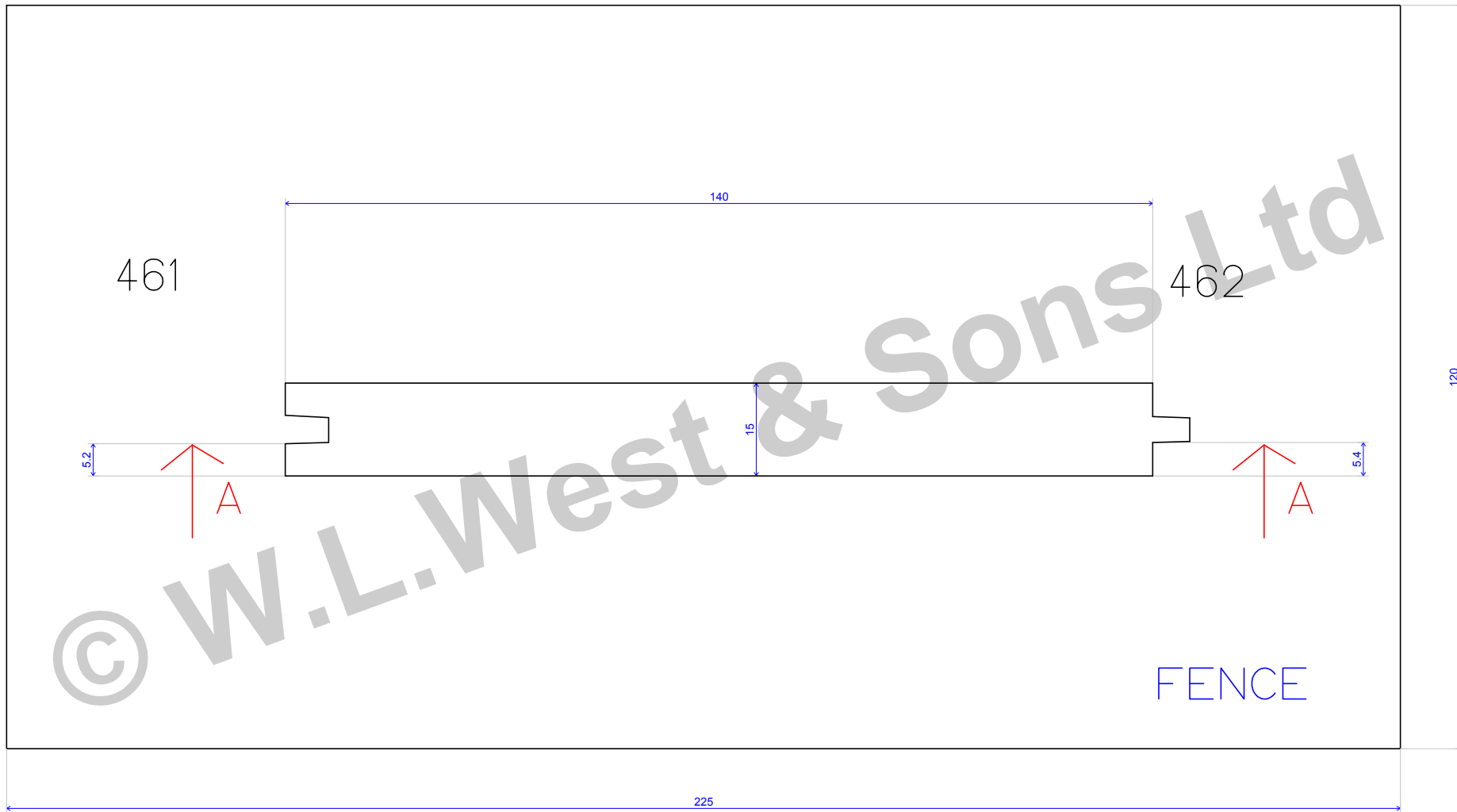
MICRO BEVELL ON SPINDLE AFTER

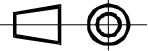


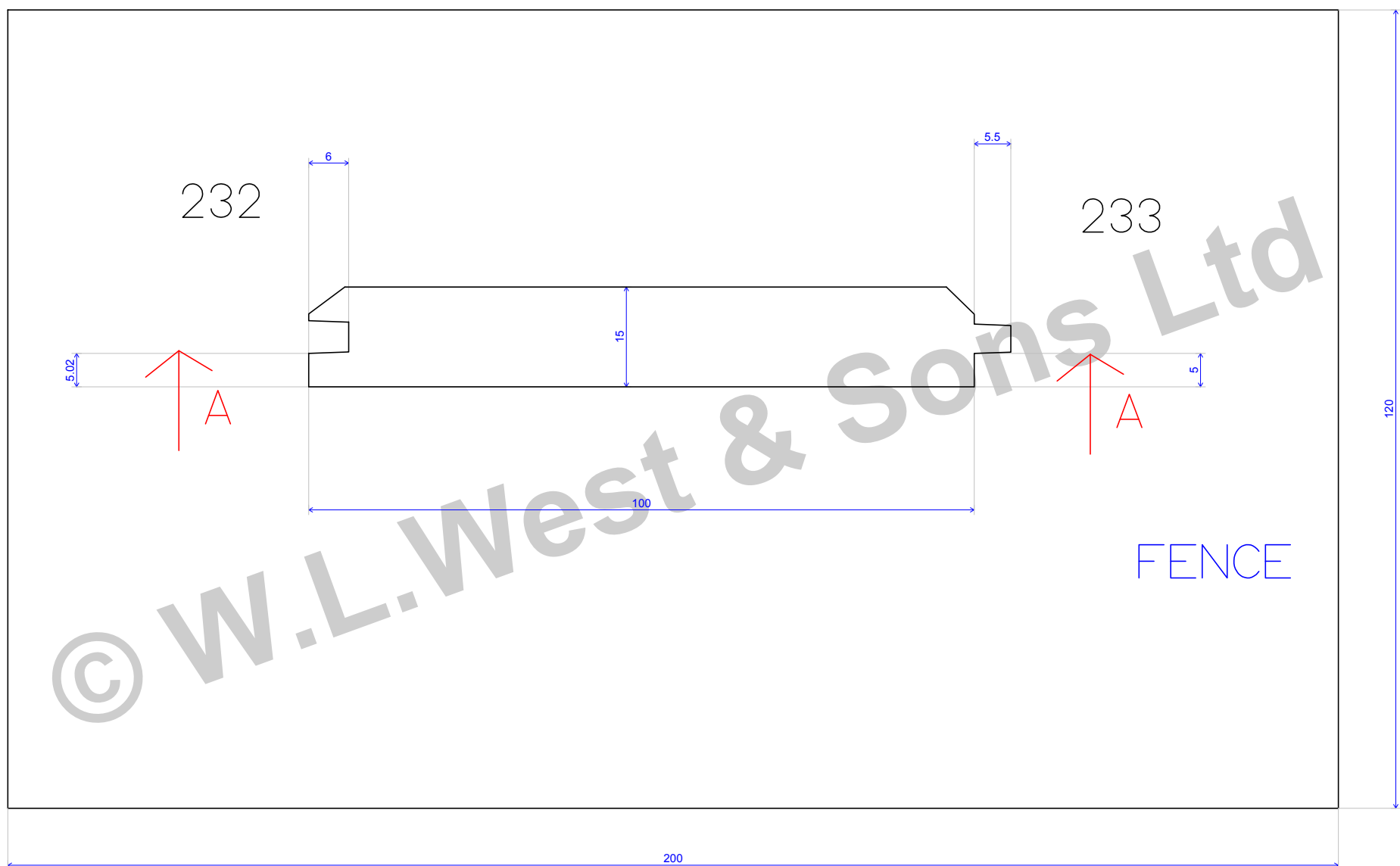
	WLW 12MM T&G WITH MICRO BEVEL	Scale : 0.988
02/06/09		



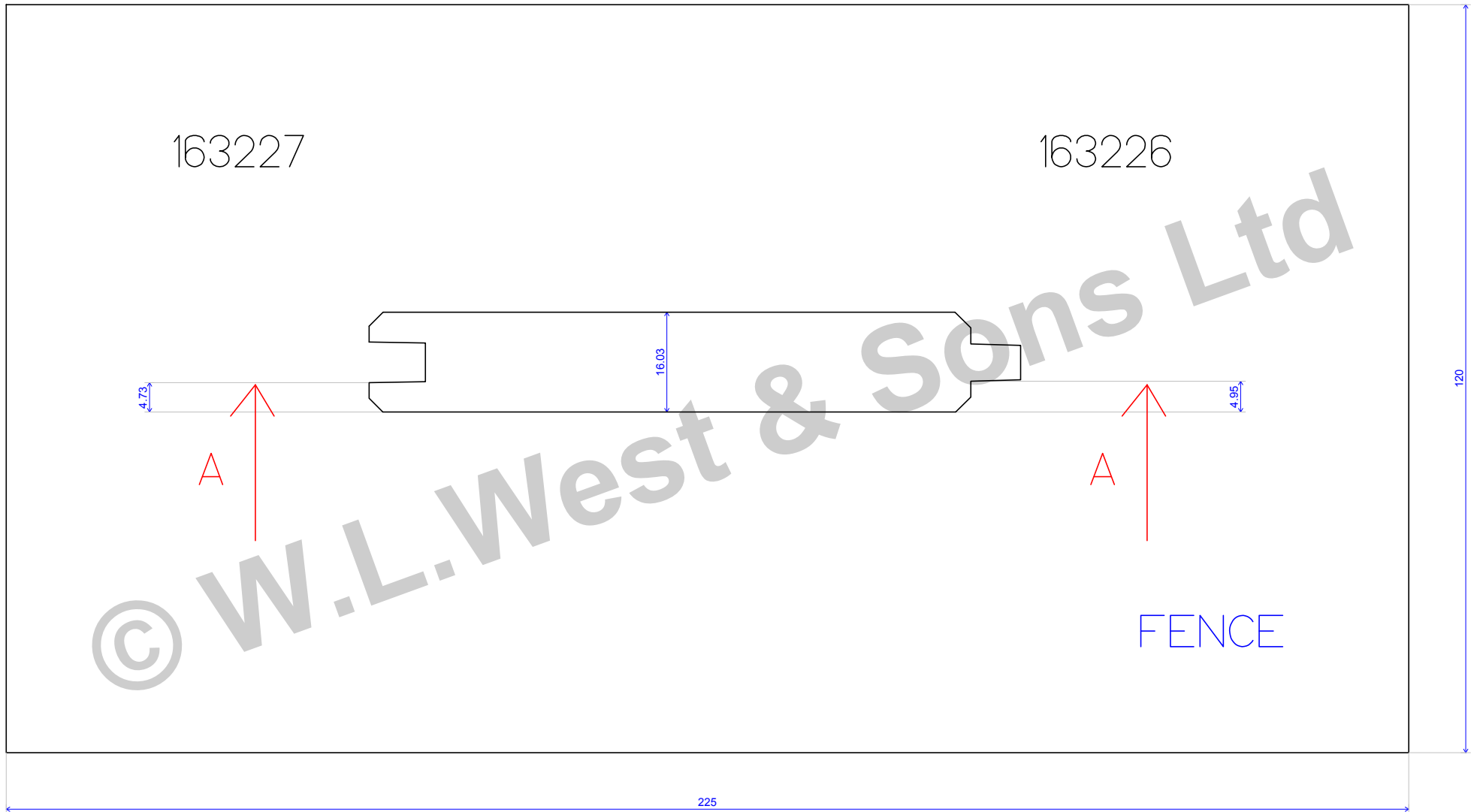
	WLW 12MM TGV	Scale : 1.164
02/06/09		



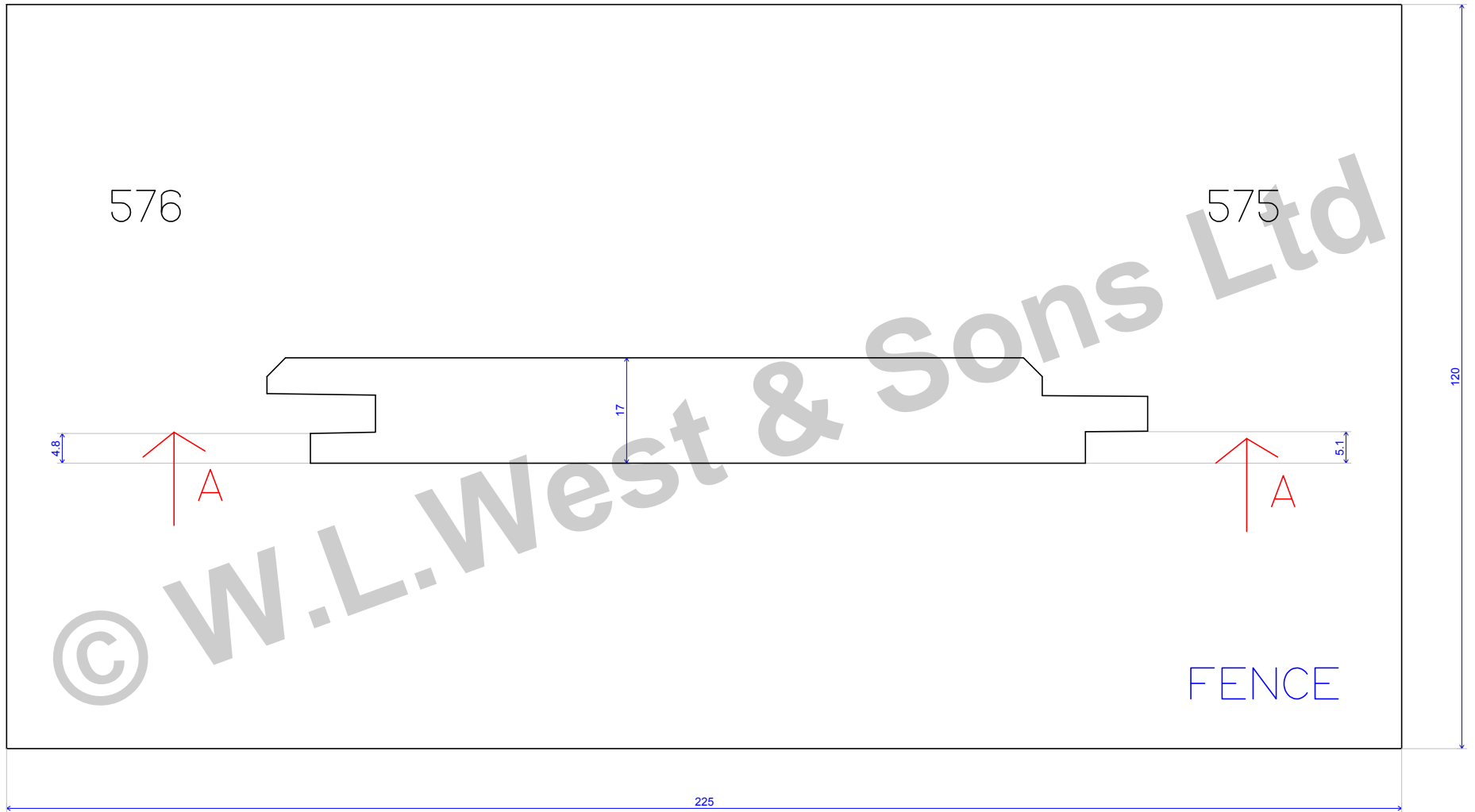
		
	WLW 15MM T&G CENTRAL	Scale : 1.034
02/06/09	Box 129/2	



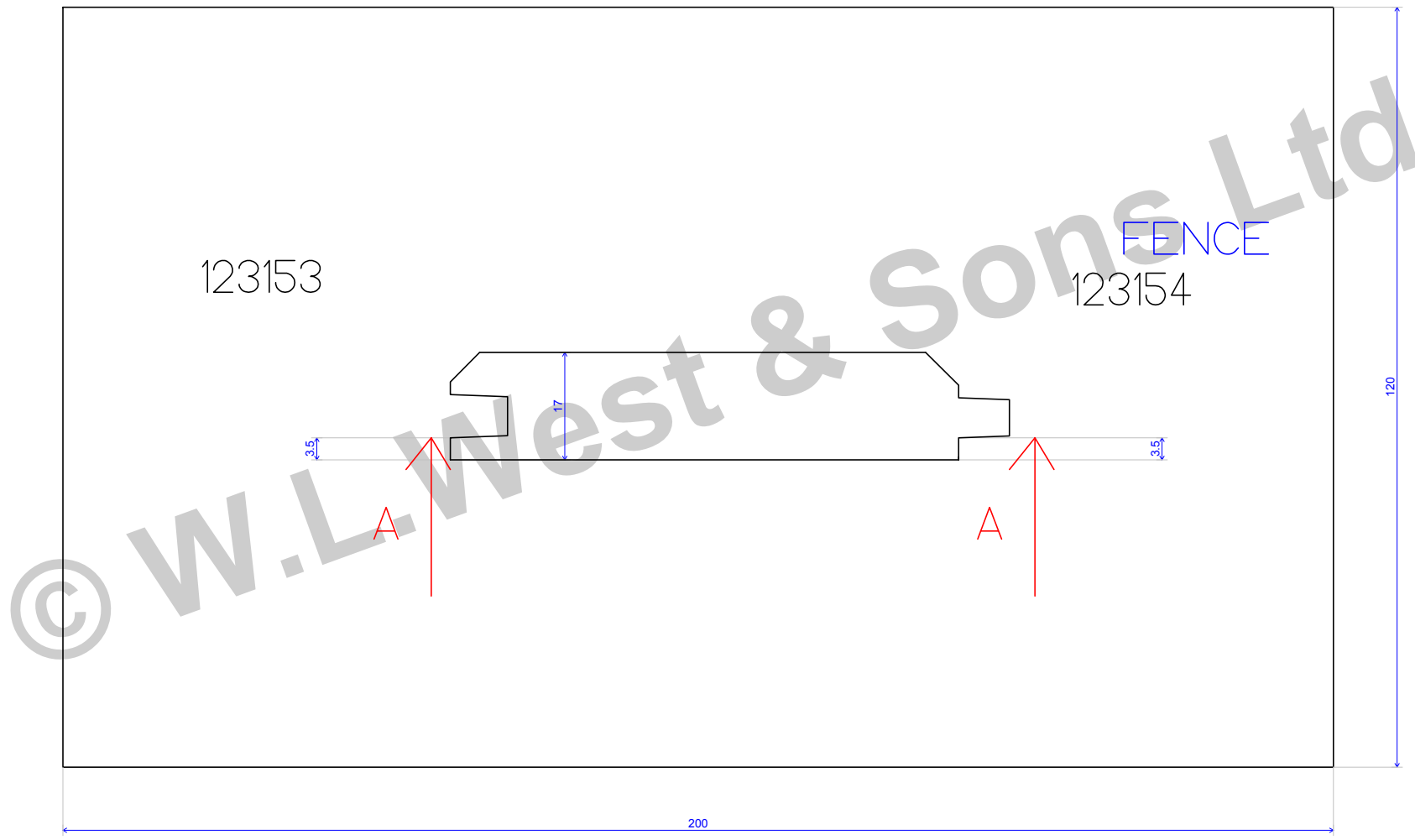
	WLW 15MM TGV	Scale : 1.164
02/06/09	Box 120	



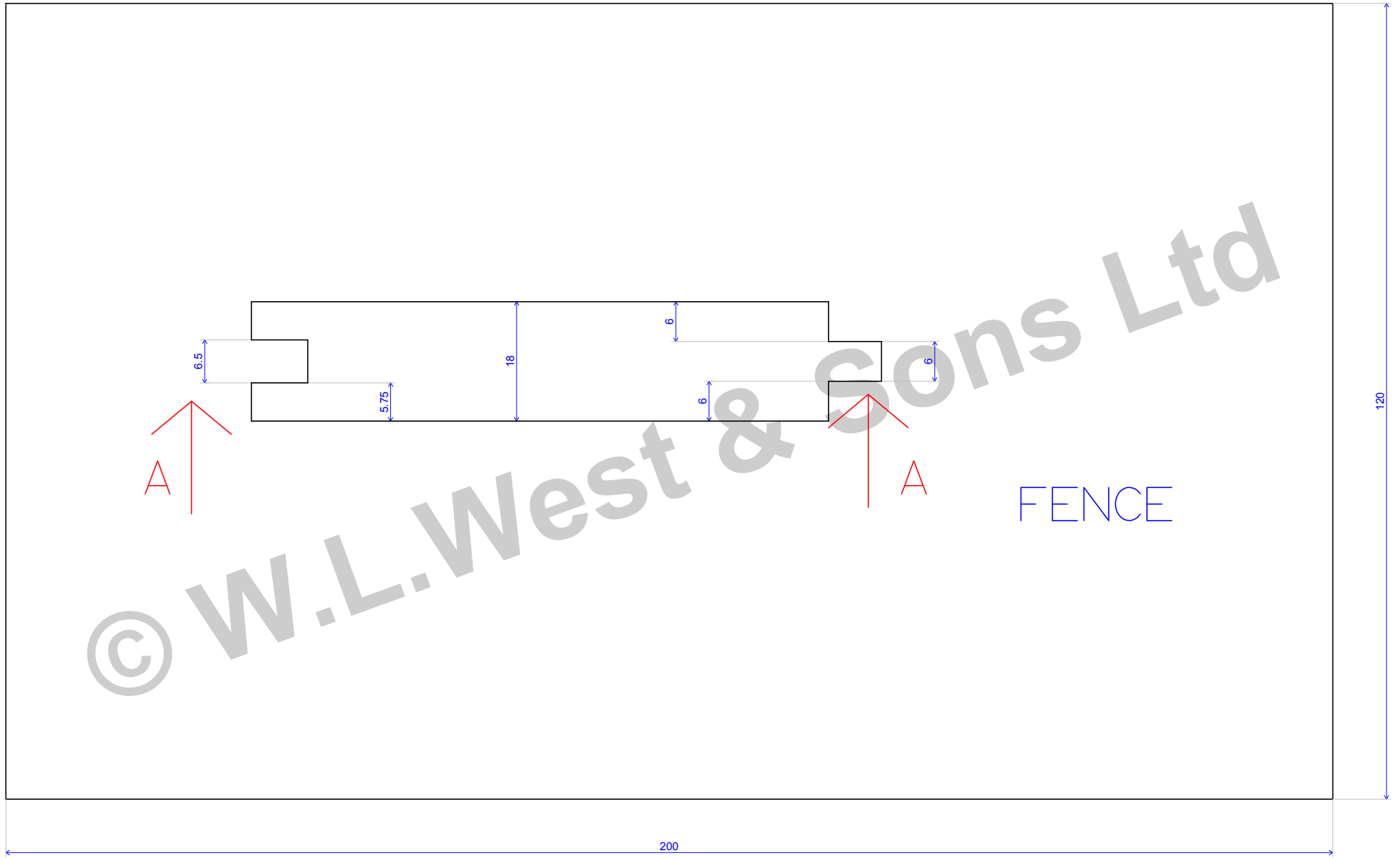
	WLW 16MM 2 SIDED TGV	Scale : 1.098
02/06/09		



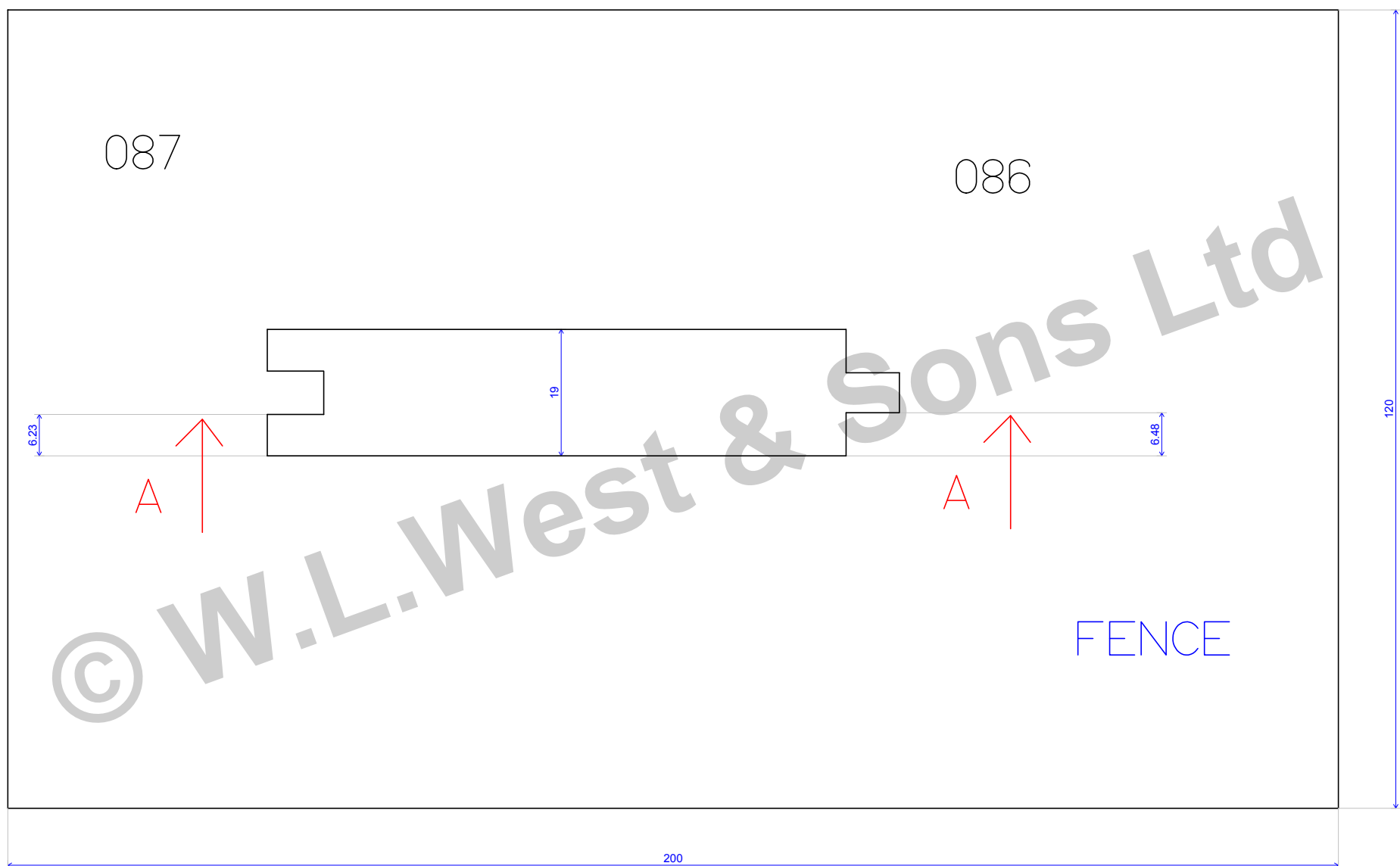
	WLW 17MM GARAPA TGV	Scale : 1.034
02/06/09		



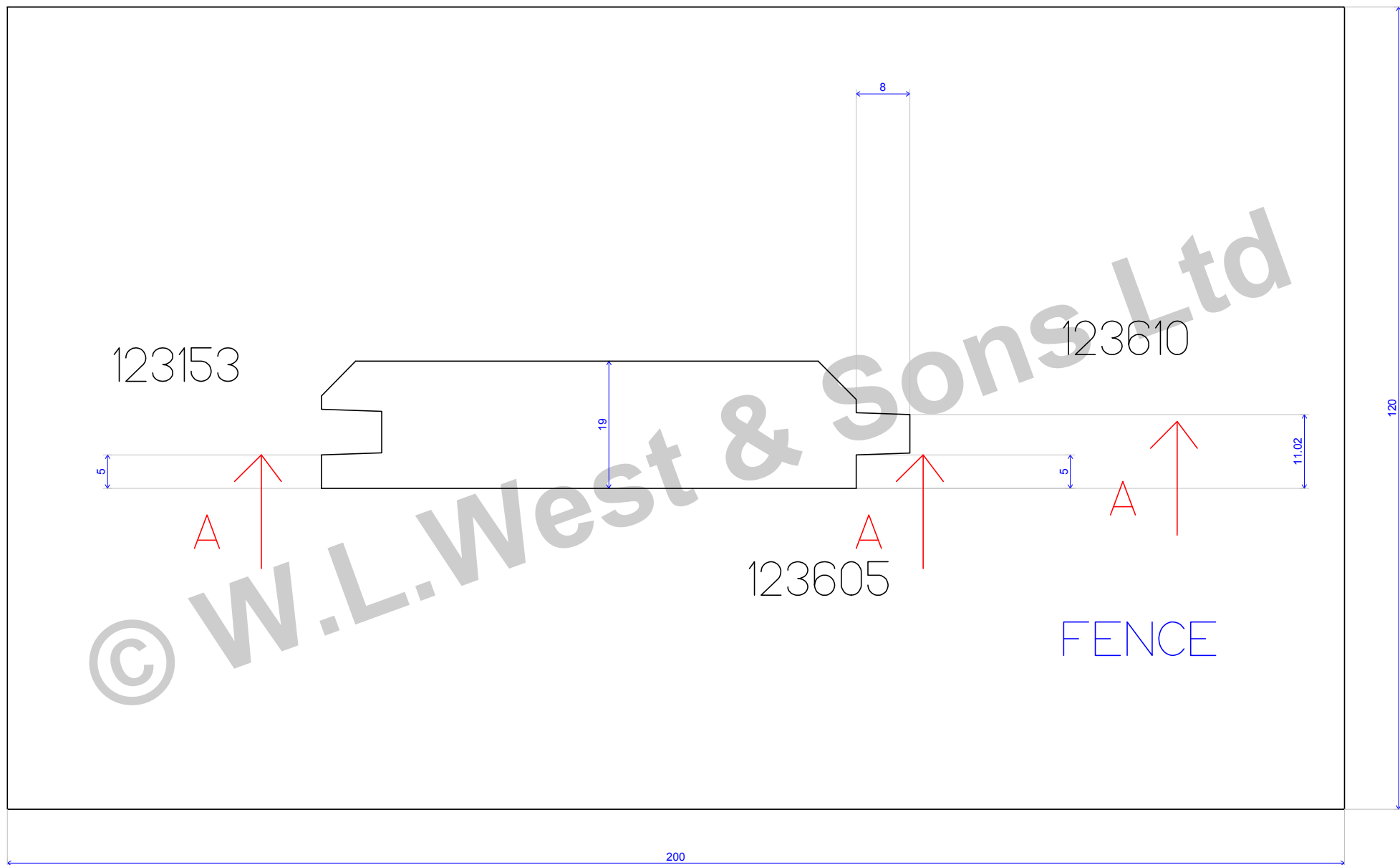
	WLW 17MM TGV RANDOM WIDTH	Scale : 1
09/06/09	Box 123A	



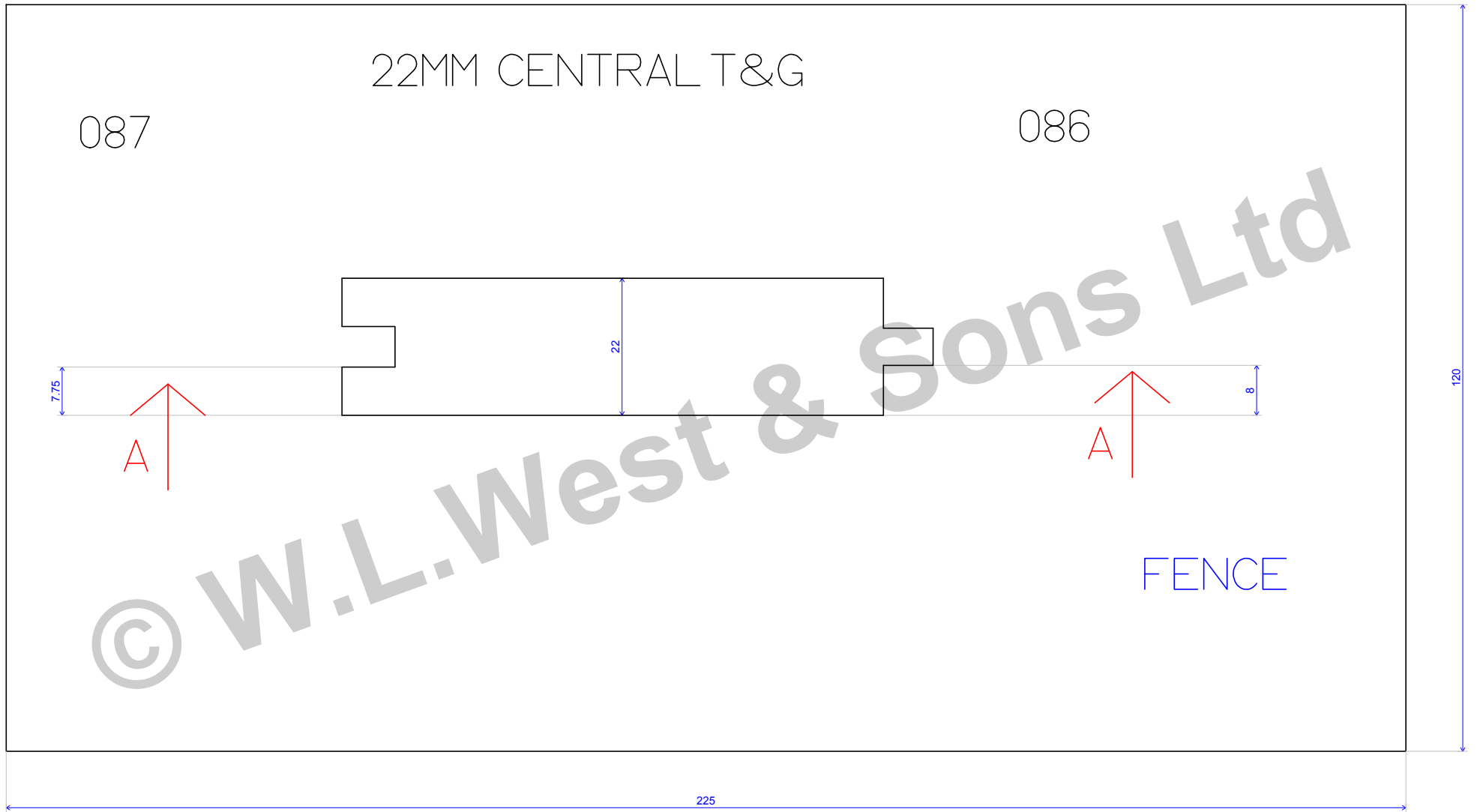
	WLW 18MM T&G	Scale : 1.235
02/06/09		



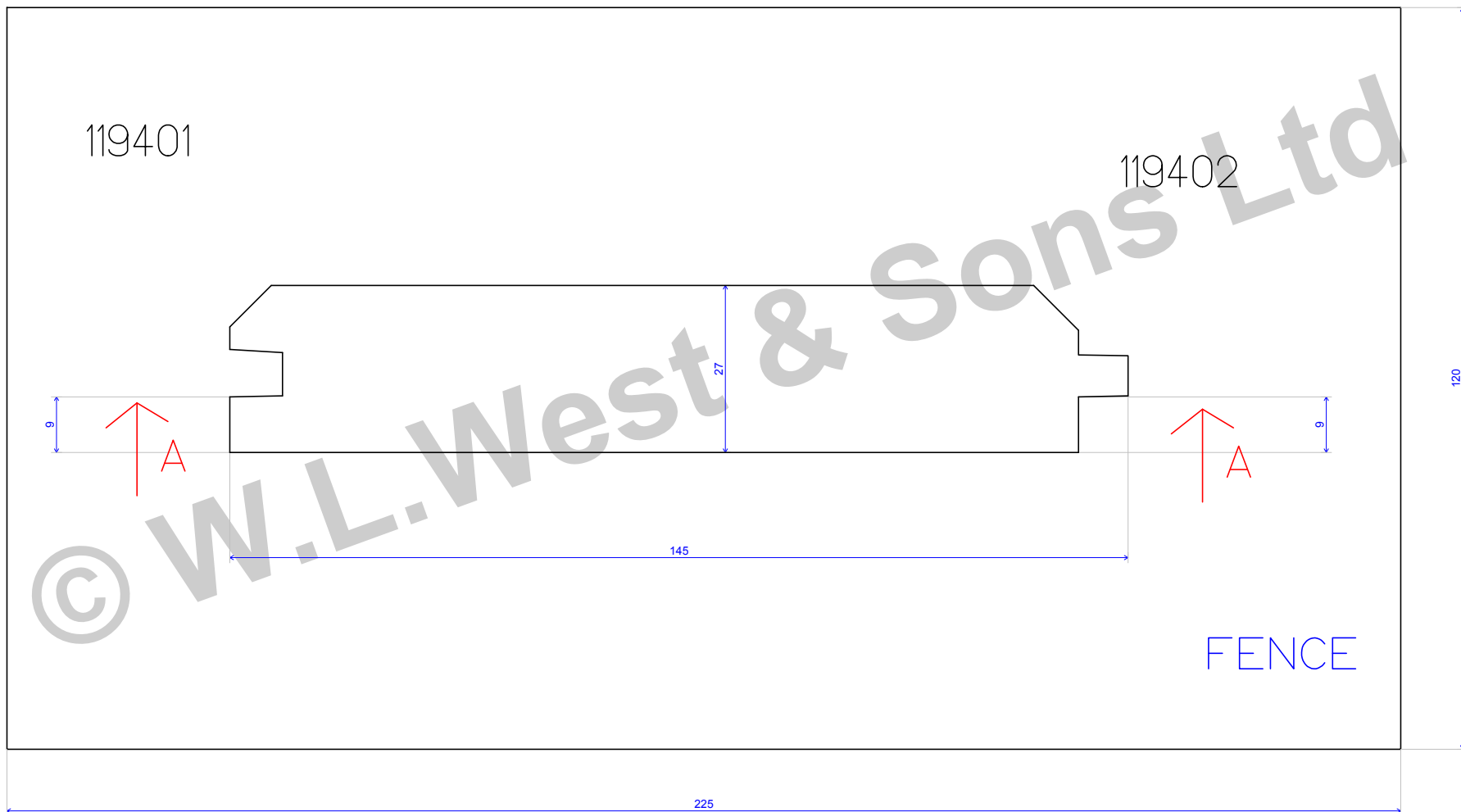
	WLW 19MM CENTRAL T&G	Scale : 1.164
02/06/09		



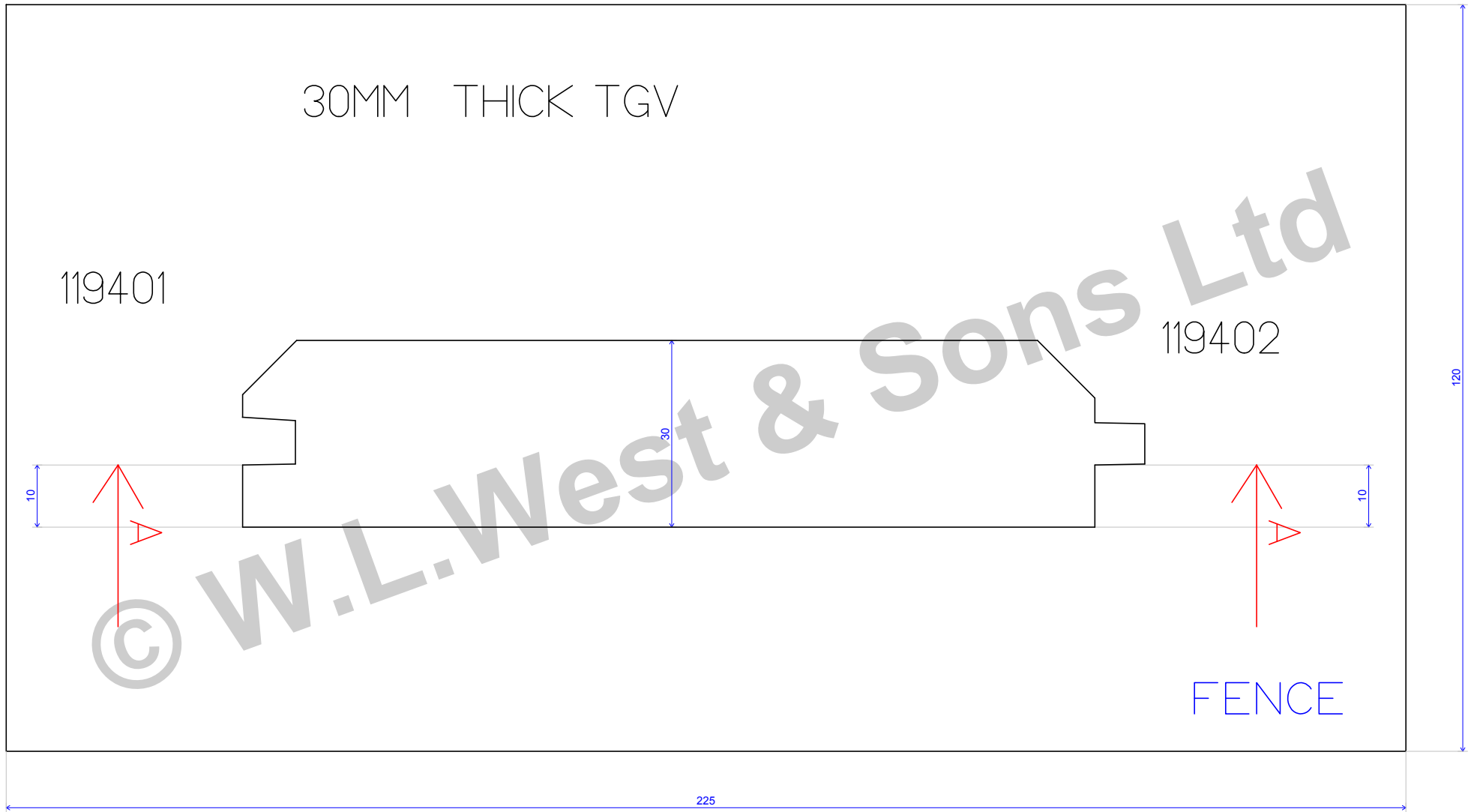
	WLW 19MM TGV Box 123	Scale : 1.235
02/06/09		



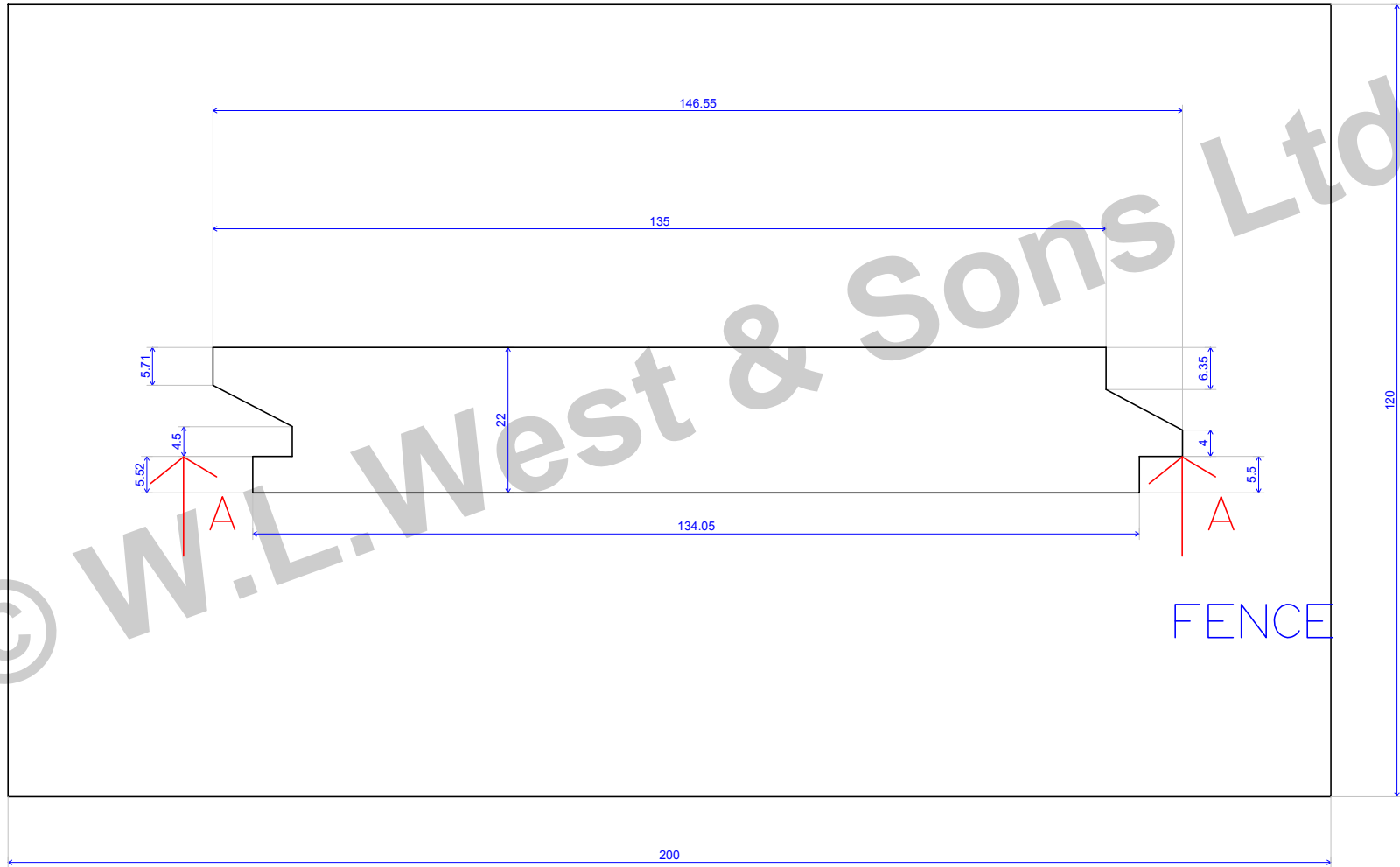
	WLW 22MM CENTRAL T&G	Scale : 1.098
02/06/09		



	WLW 27MM TGV	Scale : 1
09/06/09	Box 119	



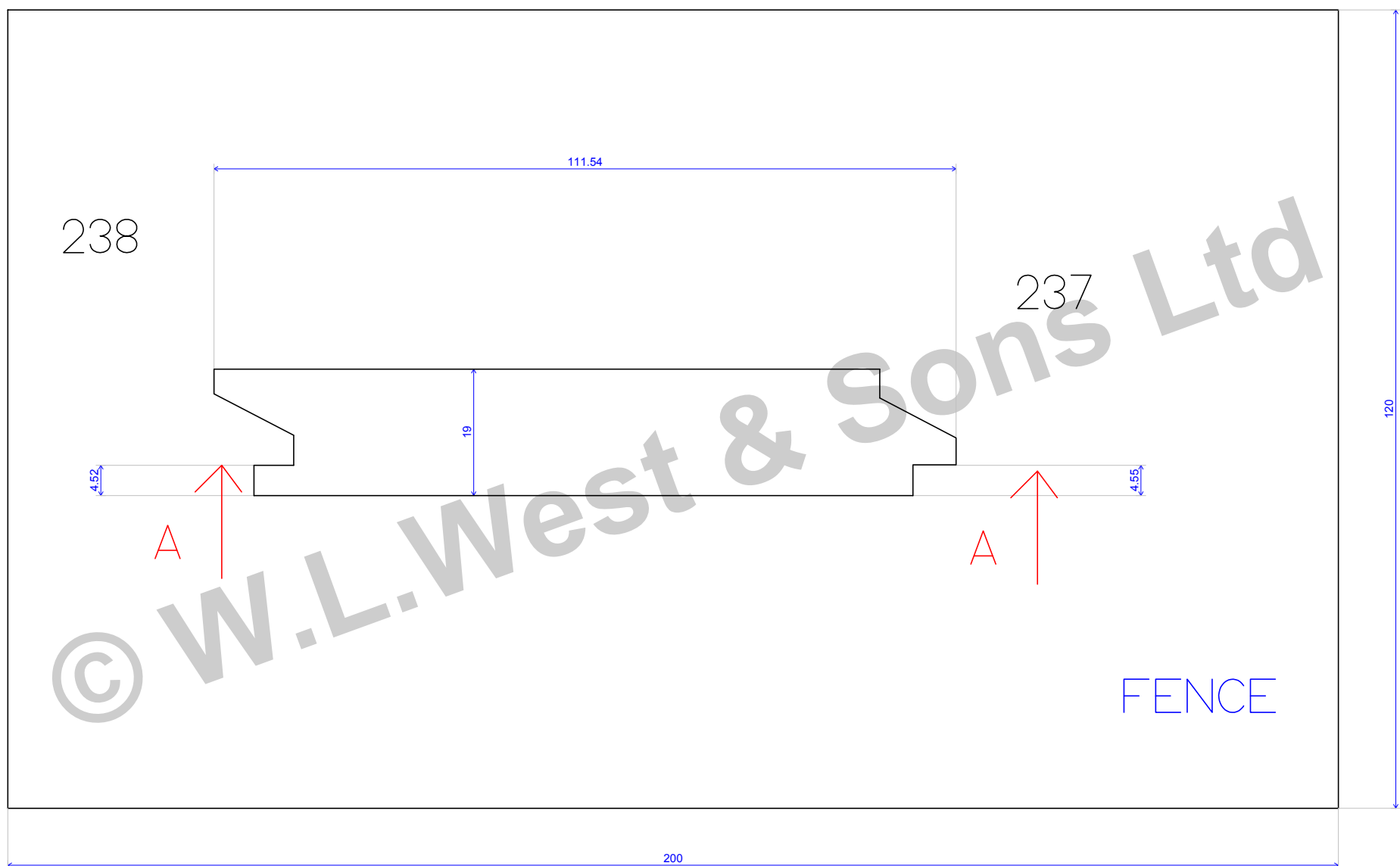
	<p>WLW 30MM TGV</p> <p>Box 119B</p>	<p>Scale : 1.098</p>
02/06/09		



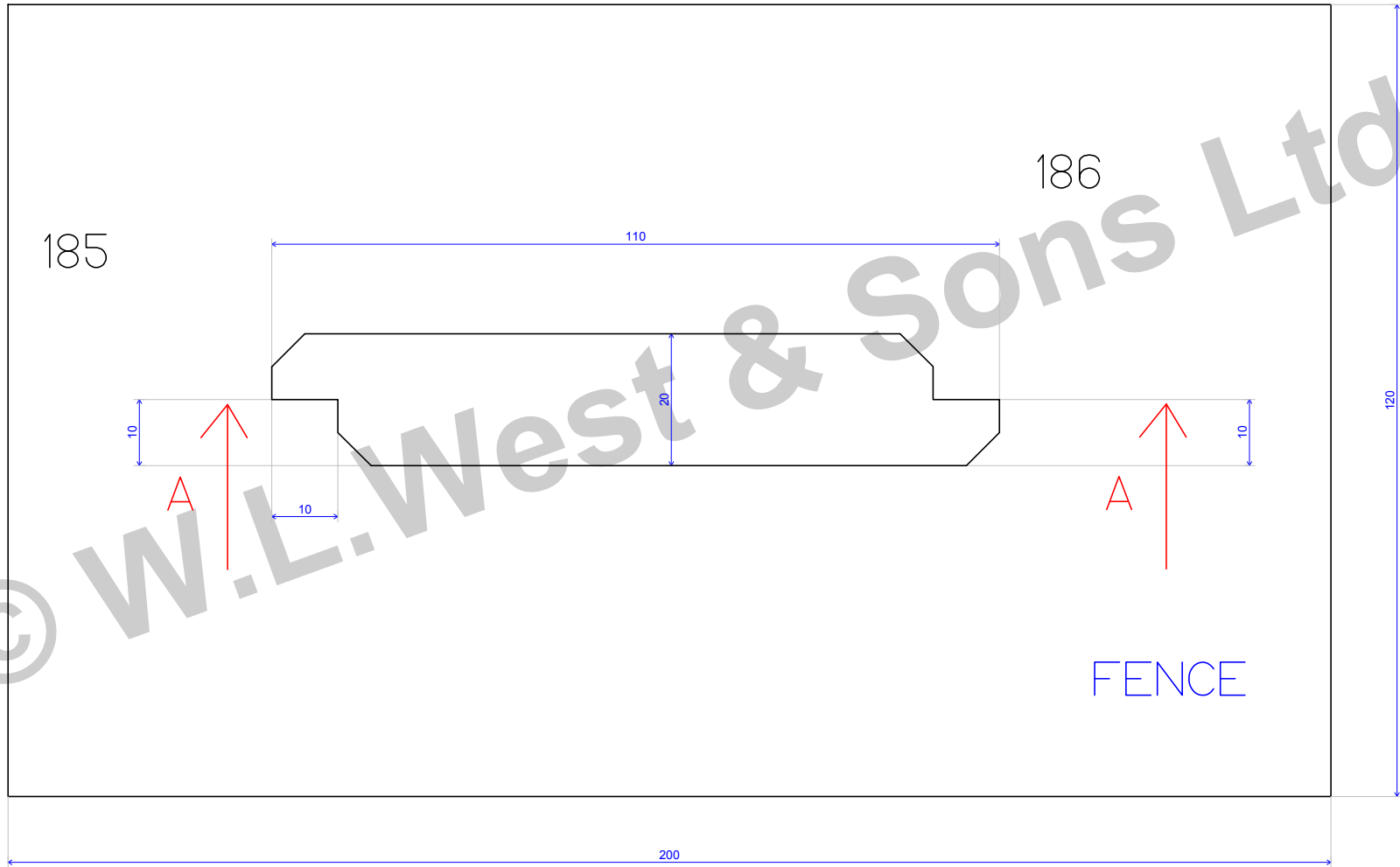
09/06/09

ANGLE T&G 22MM THICK

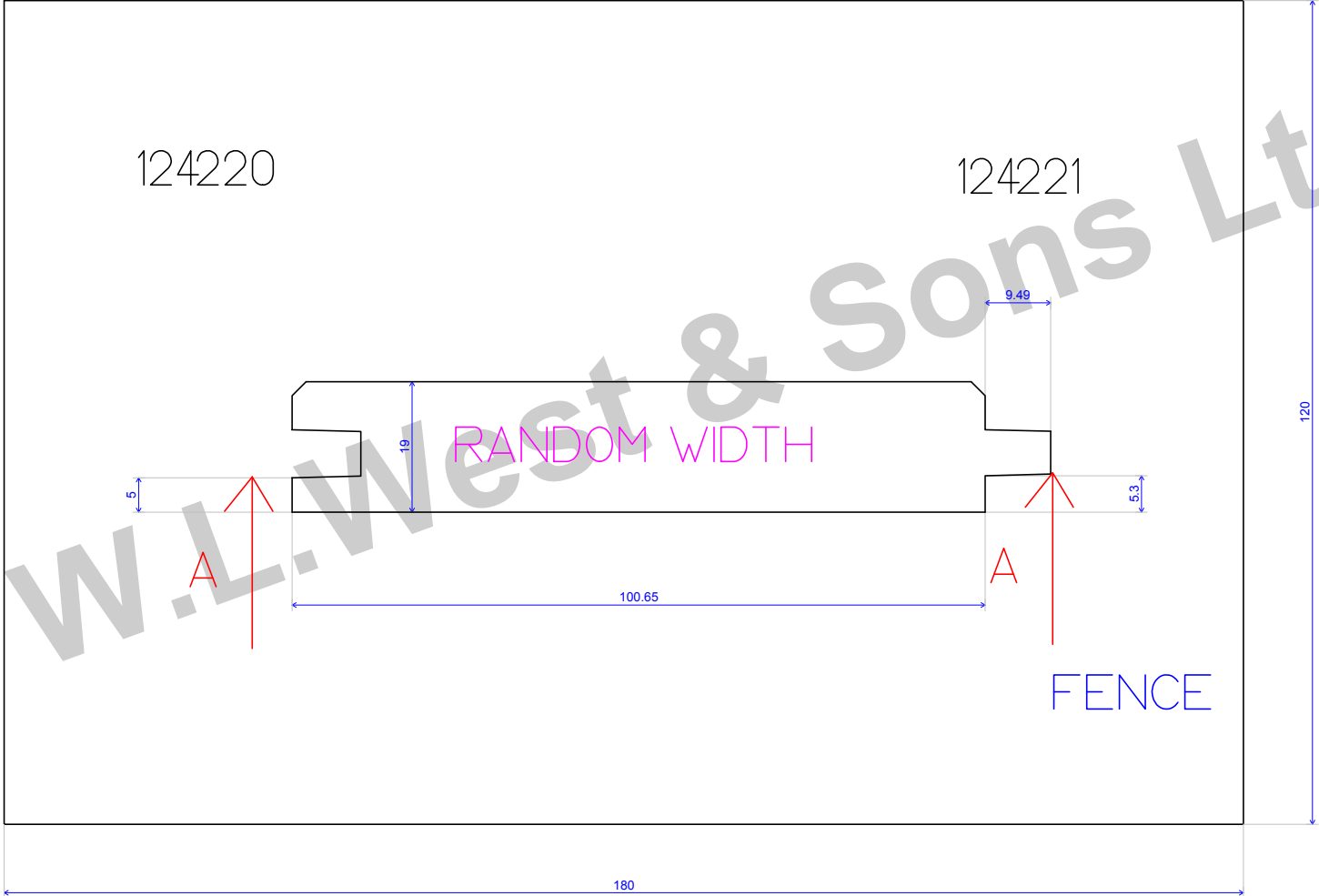
Scale : 1



	WLW ANGLE TG	Scale : 1.164
09/06/09	Box 127	

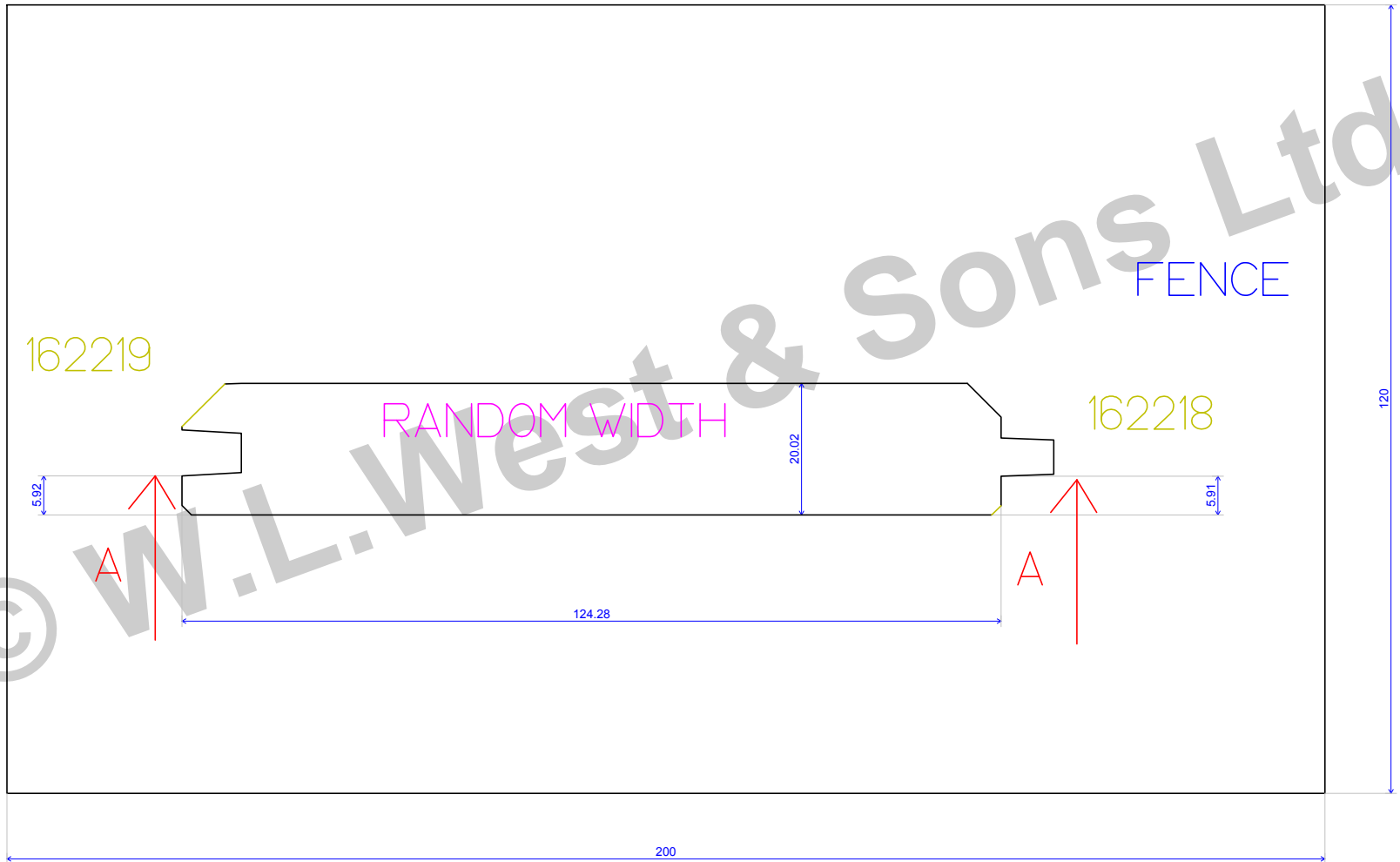


	WLW HALF LAP WITH V	Scale : 1
09/06/09	Box 165	



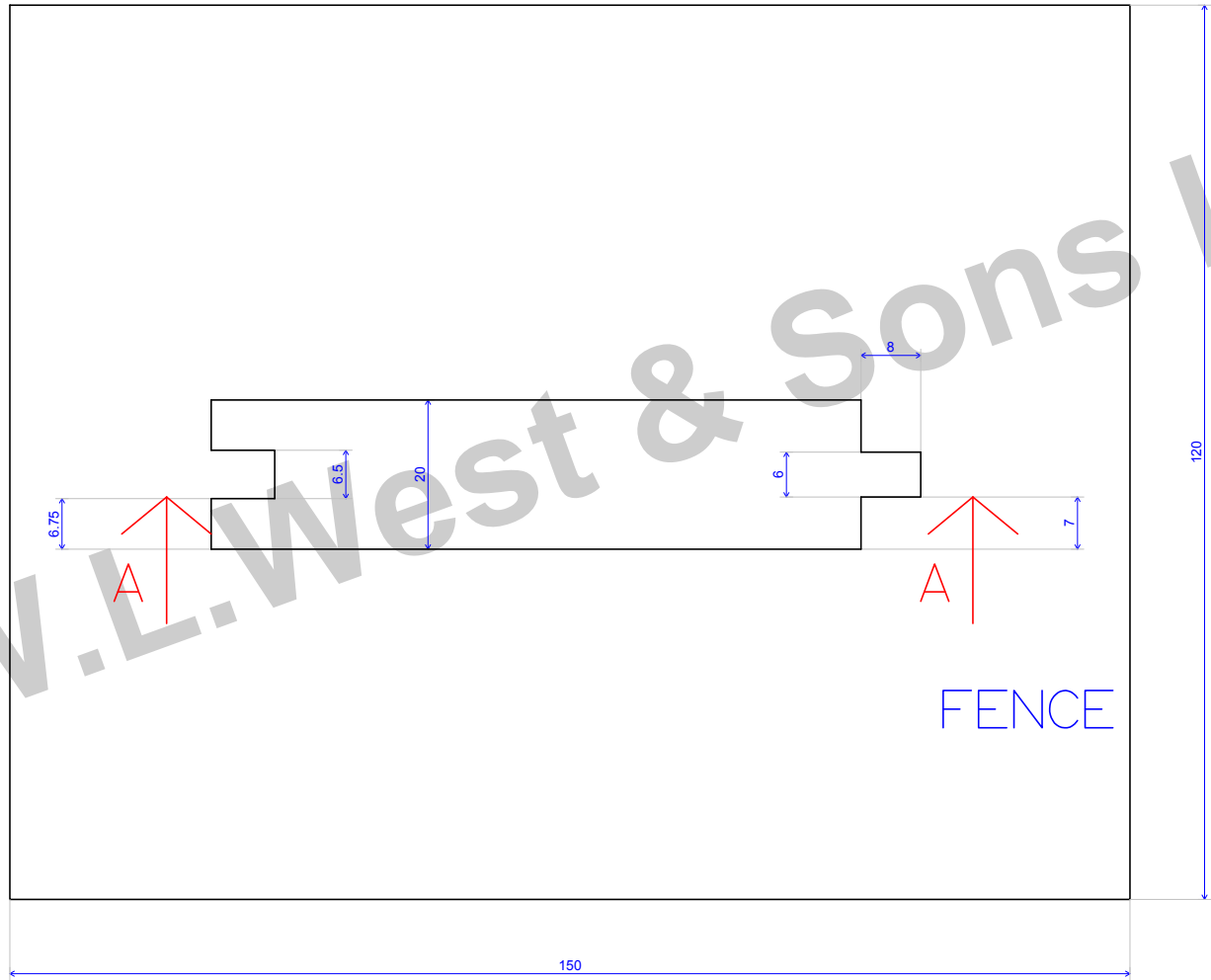
© W.L. West & Sons Ltd


	WLW T & G SMALL V	Scale : 1
09/06/09	Box 124	

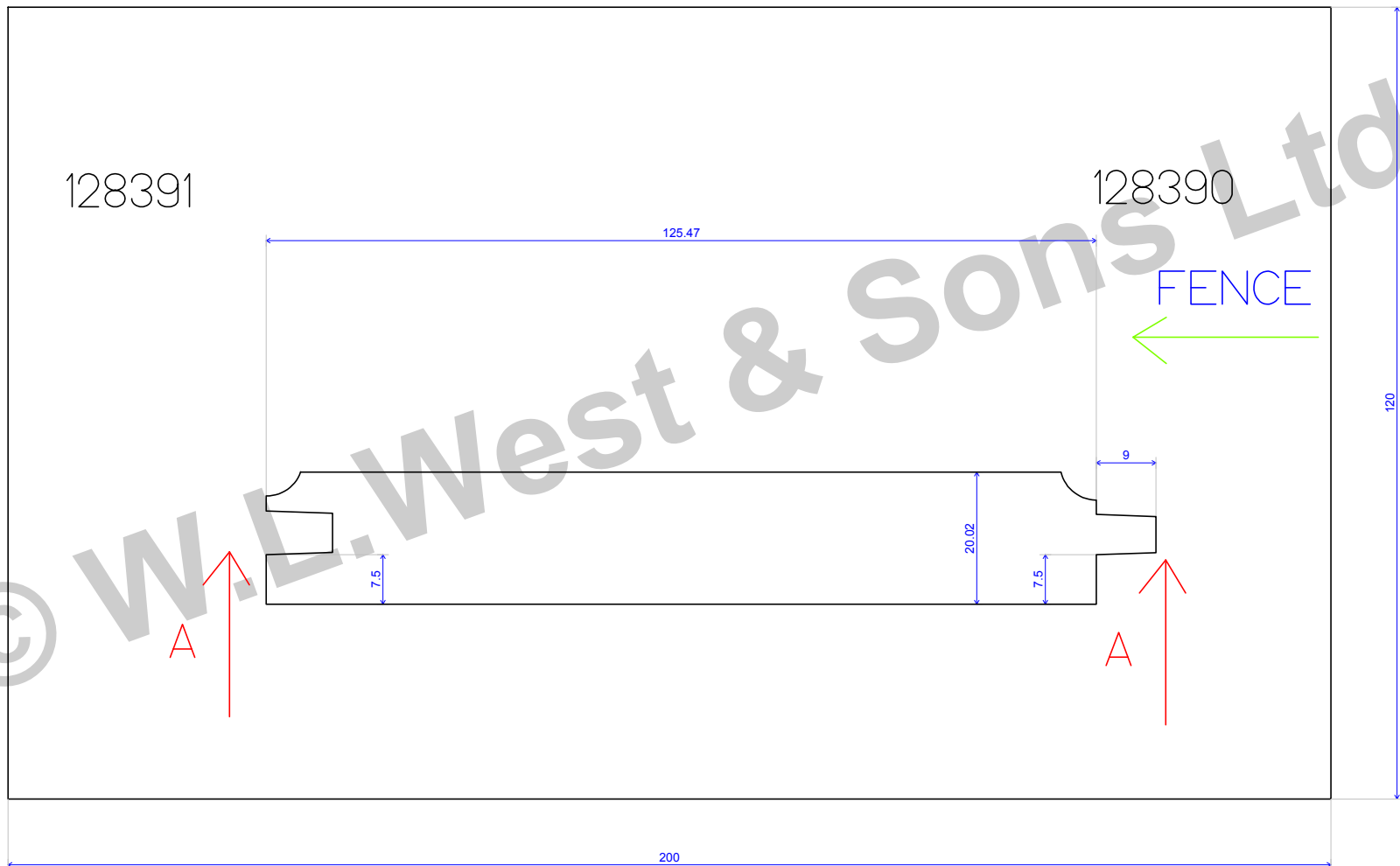


	WLW TGV WITH MICRO BEVELL	Scale : 1
09/06/09	Box 162	

© W.L. West & Sons Ltd

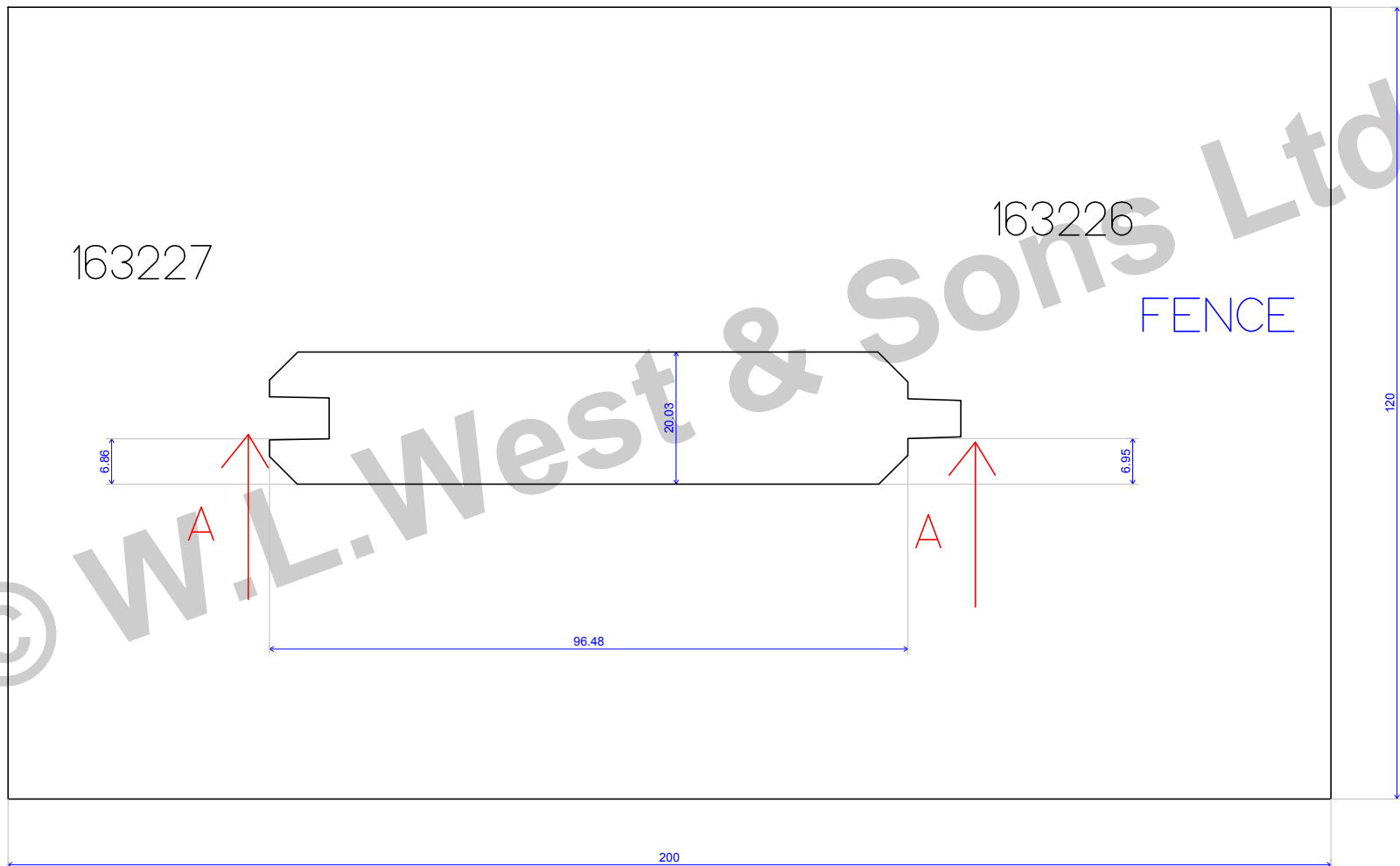


		
	WLW T&G	Scale : 1
09/06/09	Box 126	

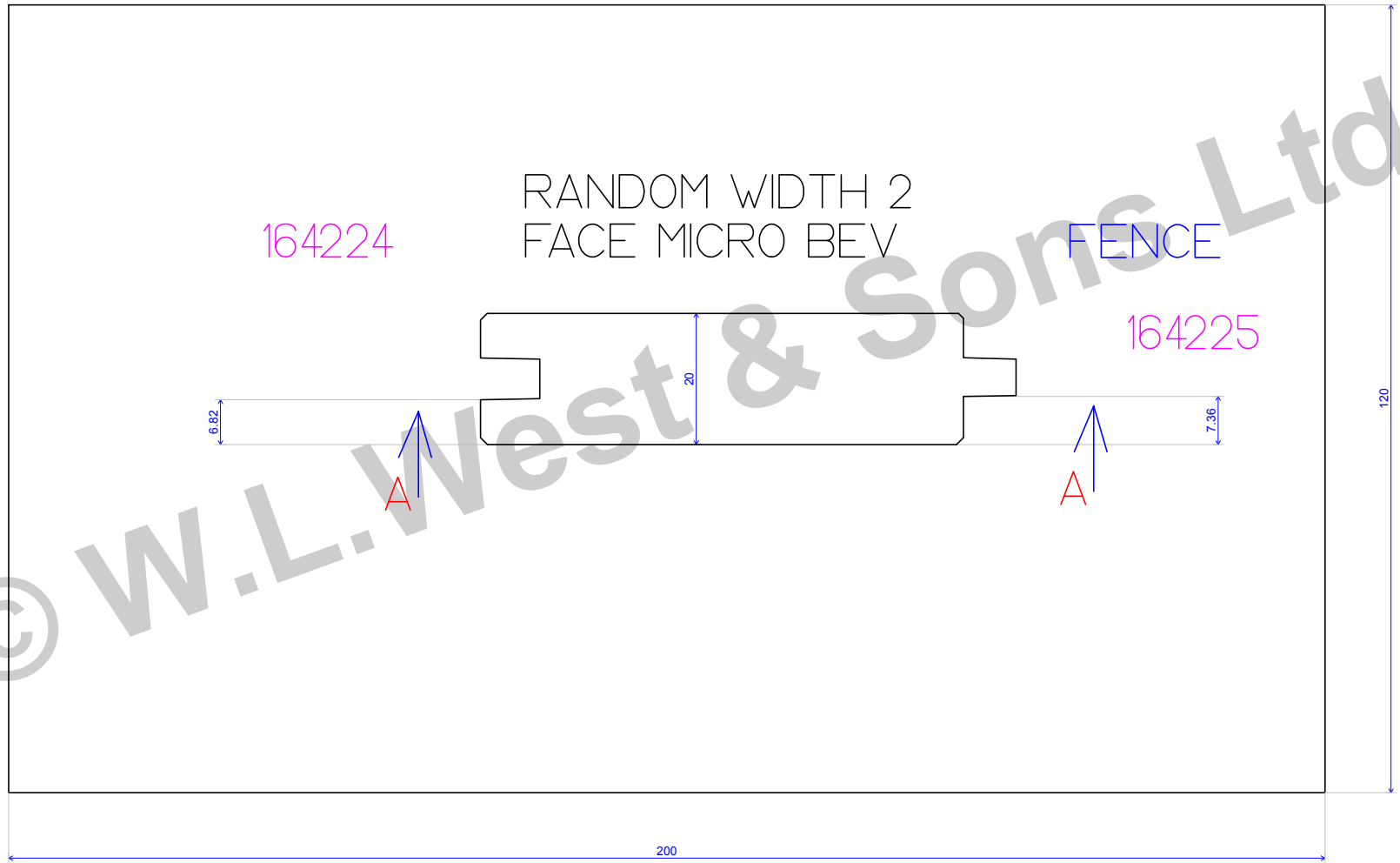


© W.L. West & Sons Ltd

	WLW TG WITH ROUND	Scale : 1
09/06/09	Box 128	

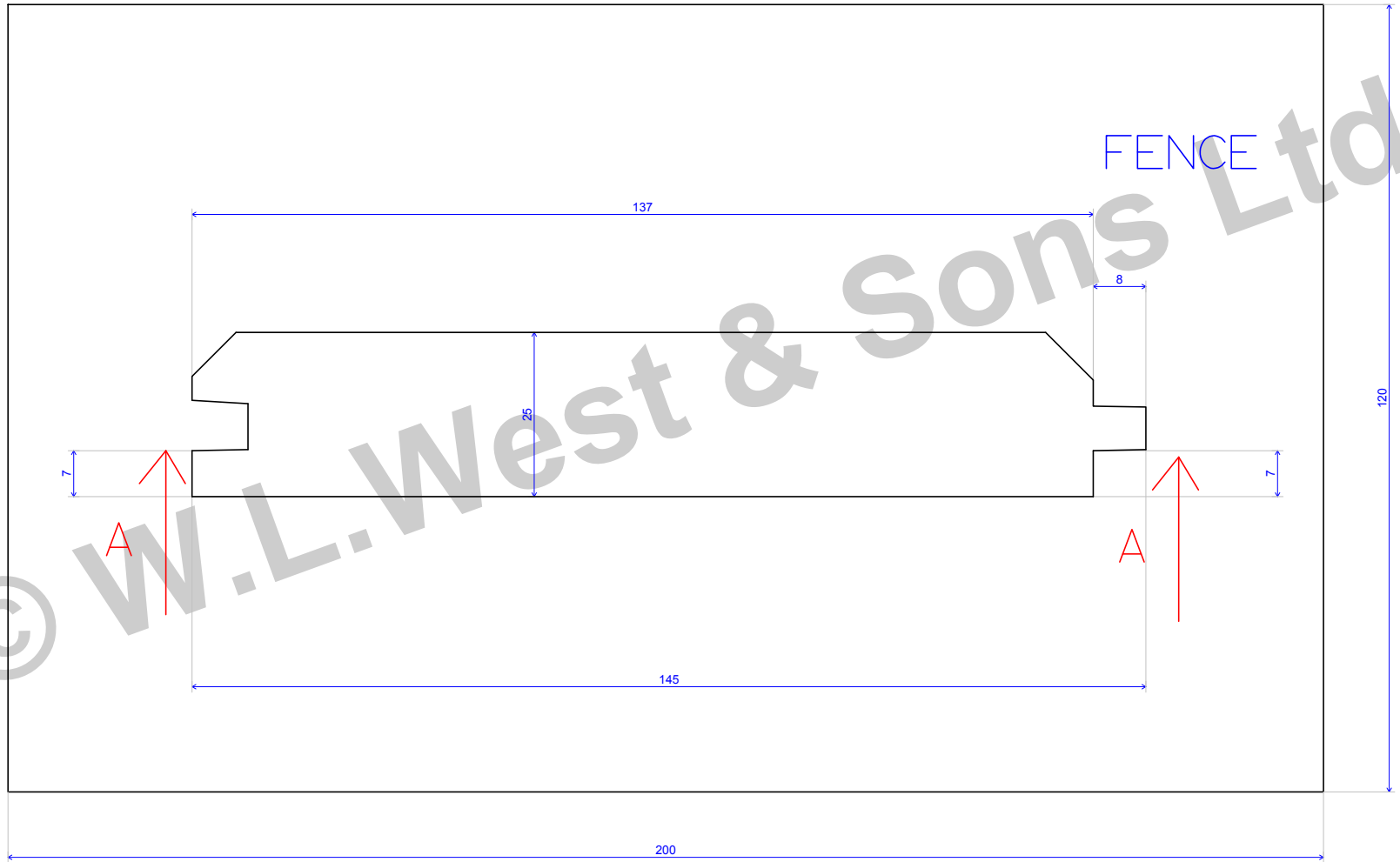


	WLW TWO FACED TGV	Scale : 1
09/06/09		



© W.L. West & Sons Ltd

	WLW RANON WIDTH 2 FACE MICRO BEVELL	Scale : 1
09/06/09	Box 164	



	WLW 25MM TGV	Scale : 1
09/06/09	Box 119A	